

## VARIO 3-30

### THREE-PHASE PRESSURE BOOSTER SET WITH THREE VARIABLE SPEED PUMPS

Easy to install, Low power consumption, Versatile operation

The new series of variable speed pressurization booster set VARIO 3-30 represents a reliable solution which is easy to use, for residential and industrial applications. The system involves the installation of three pumps in parallel featuring electronic control. VARIO3 is an electronic device capable of changing the frequency of a pump. Integrated directly on the motor, it allows to adjust its speed so as to supply the same pressure at all times, even when the water demand changes.

When the system pressure drops below the set threshold, the module starts the first pump of the unit to restore to set-point pressure; the speed of rotation of the pump varies according to the water demand so, a greater demand will correspond to a higher speed, until the

maximum speed set has been reached, after which, if the system requires greater performance, the module will activate the second and then the third pump to keep the pressure stable. As the water demand decreases, the speed of the last pump started is reduced, until it turns off. The module will keep the first pump on until the minimum set speed has been reached, after which, if there are no further requests for water, the pump will be stopped. VARIO3-30 features five operating modes to meet the operating needs.



#### TECHNICAL FEATURES

- Inverter supply voltage: 3x380-500 Vac
- Inverter output voltage: 3x380-500 Vac
- Maximum output power: up to 3x11 kW
- Input frequency: 50/60 Hz
- Output maximum rated power: up to 20 Amp
- Degree of protection: IP55
- Max. ambient temperature: +50°C
- Input filter complying with EMC
- directive
- Pressure transducer: 0-5 Volt 0-10 bar
- Connettività: Interfaccia seriale RS 485
- Connectivity: Serial interface RS 485
- Optional contacts: 3 (external set-point, alarm, system inhibition)

#### BASEMENT

- in galvanized metal complete with rubber isolated pads

#### SUCTION MANIFOLD

- in stainless steel AISI 304 with 3 ball valves

#### DELIVERY MANIFOLD

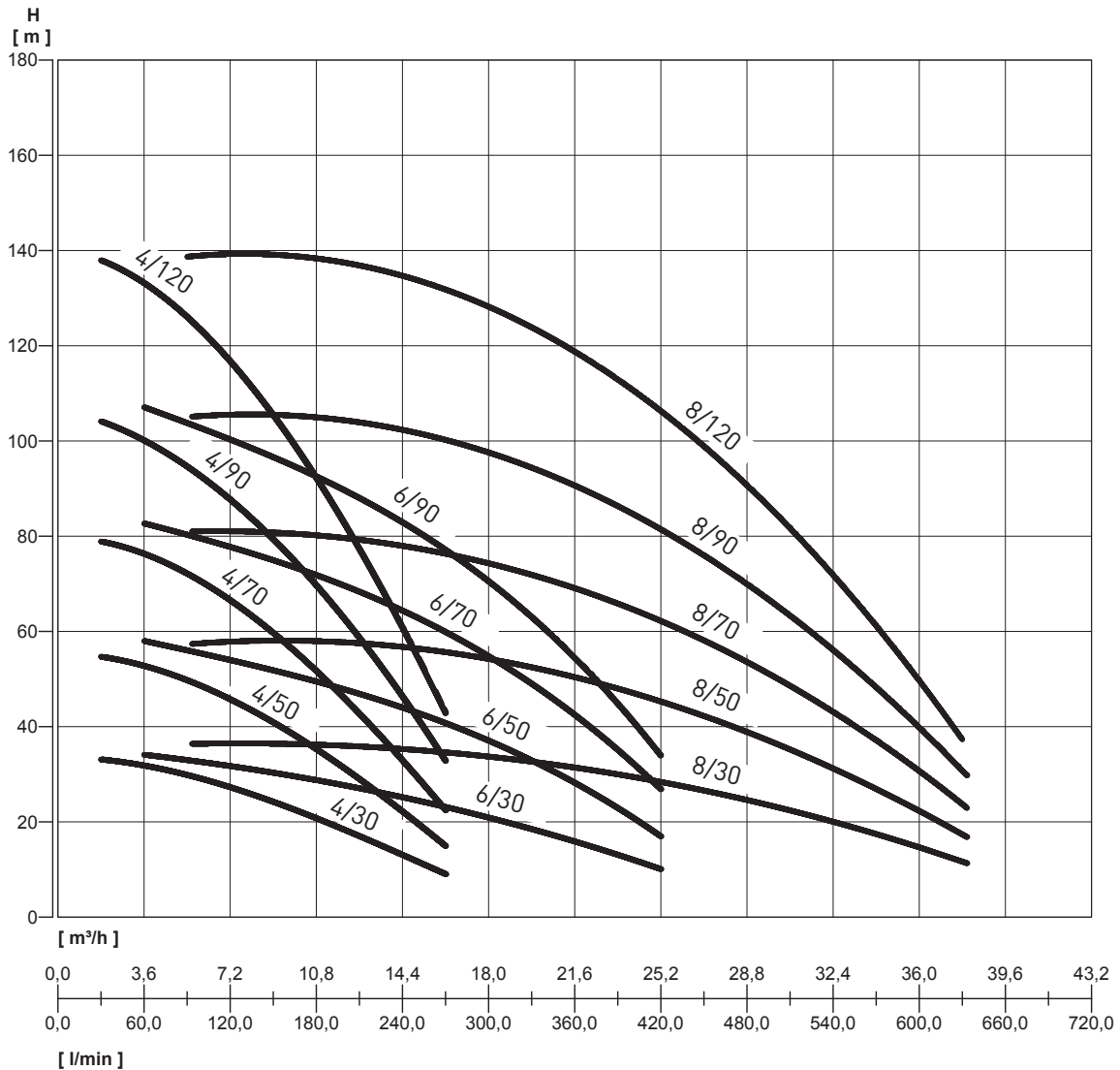
- In stainless steel AISI 304 with:
- n. 3 ball valves
- n. 3 check valves
- n. 1 pressure gauge
- n. 2 pressure sensors

USAGE DATA	MULTINOX-VE+			PVM				
	4	6	8	5	10	15	20	32
Maximum capacity (m <sup>3</sup> /h)	16,2	25,2	37,8	25,5	39	70,5	87	120
Maximum head (m.c.a.)	140	110	140	160	160	165	145	120
Maximum operating pressure	12 bar	16 bar	16 bar	16 bar				
Power supply VOLT.:	3-400 V							
Ambient temperature	50° C							
Degree of protection of pump	IP55							
Degree of protection of electrical panel	IP54							

# VARIO 3-30 MULTINOX VE+

THREE-PHASE PRESSURE BOOSTER SET WITH THREE VARIABLE SPEED PUMPS

## HYDRAULIC PERFORMANCE



## PERFORMANCE TABLE

MODEL	P2 kW	VOLT. (V)	In (A)	0	m.c.w.																
					l/min	30	60	90	120	150	180	210	240	270	300	360	420	450	540	630	
					m³/h	1,8	3,6	5,4	7,2	9	10,8	12,6	14,4	16,2	18	21,6	25,2	27	32,4	37,8	
VARIO3-30 MULTINOX VE+ 4-30	3x0,5	3 ~ 400	3x2,54			33	32	30	27	24	21	17	13	9							
VARIO3-30 MULTINOX VE+ 4-50	3x0,84	3 ~ 400	3x3,9			55	52	50	46	41	35	29	22	15							
VARIO3-30 MULTINOX VE+ 4-70	3x1,17	3 ~ 400	3x5,46			79	76	72	67	60	51	42	34	22							
VARIO3-30 MULTINOX VE+ 4-90	3x1,5	3 ~ 400	3x7,22			104	100	95	88	79	69	58	48	32							
VARIO3-30 MULTINOX VE+ 4-120	3x2	3 ~ 400	3x9,42			138	133	126	117	105	92	78	60	43							
VARIO3-30 MULTINOX VE+ 6-30	3x0,67	3 ~ 400	3x3,58				34	33	32	30	29	27	25	23	21	16	10				
VARIO3-30 MULTINOX VE+ 6-50	3x1,1	3 ~ 400	3x5,26				58	56	54	52	49	47	44	41	37	28	17				
VARIO3-30 MULTINOX VE+ 6-70	3x1,5	3 ~ 400	3x8,21				83	80	77	76	71	69	64	60	55	42	27				
VARIO3-30 MULTINOX VE+ 6-90	3x2	3 ~ 400	3x9,13				107	104	100	97	92	88	83	77	71	54	34				
VARIO3-30 MULTINOX VE+ 8-30	3x1	3 ~ 400	3x2,6					35	35	35	35	34	34	33	32	30	27	25	18	10	
VARIO3-30 MULTINOX VE+ 8-50	3x1,5	3 ~ 400	3x4,33					57	56	56	56	56	55	54	53	50	44	40	28	16	
VARIO3-30 MULTINOX VE+ 8-70	3x1,9	3 ~ 400	3x6,13					80	80	79	78	77	76	75	73	69	60	56	40	22	
VARIO3-30 MULTINOX VE+ 8-90	3x3	3 ~ 400	3x9,7					104	104	104	103	103	101	98	94	90	82	73	52	29	
VARIO3-30 MULTINOX VE+ 8-120	3x4	3 ~ 400	3x12,3					139	139	139	138	138	135	131	126	120	109	98	70	38	

# VARIO 3-30 MULTINOX VE+

THREE-PHASE PRESSURE BOOSTER SET WITH THREE VARIABLE SPEED PUMPS

## OVERALL DIMENSIONS AND WEIGHTS

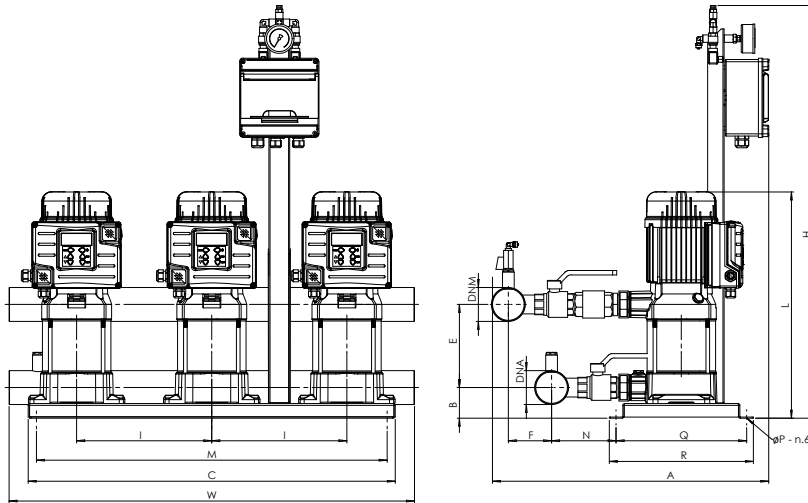


FIG. 1

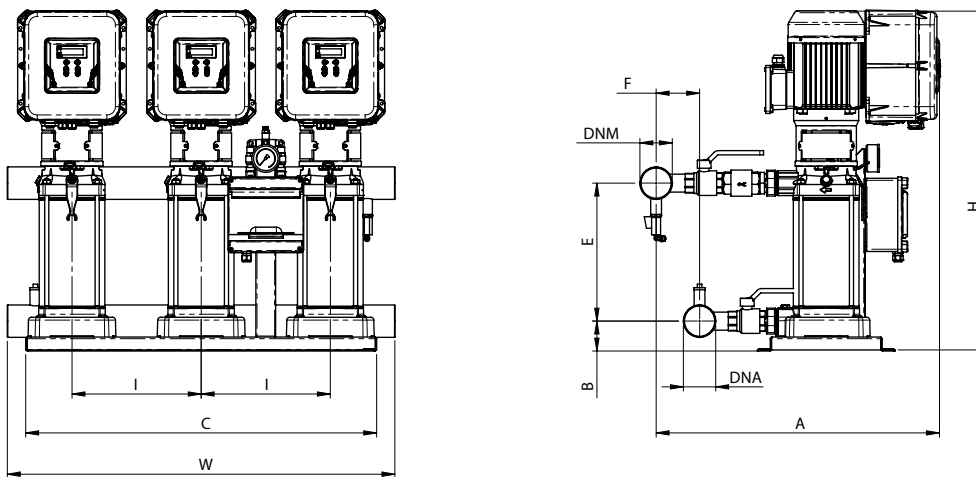


FIG. 2

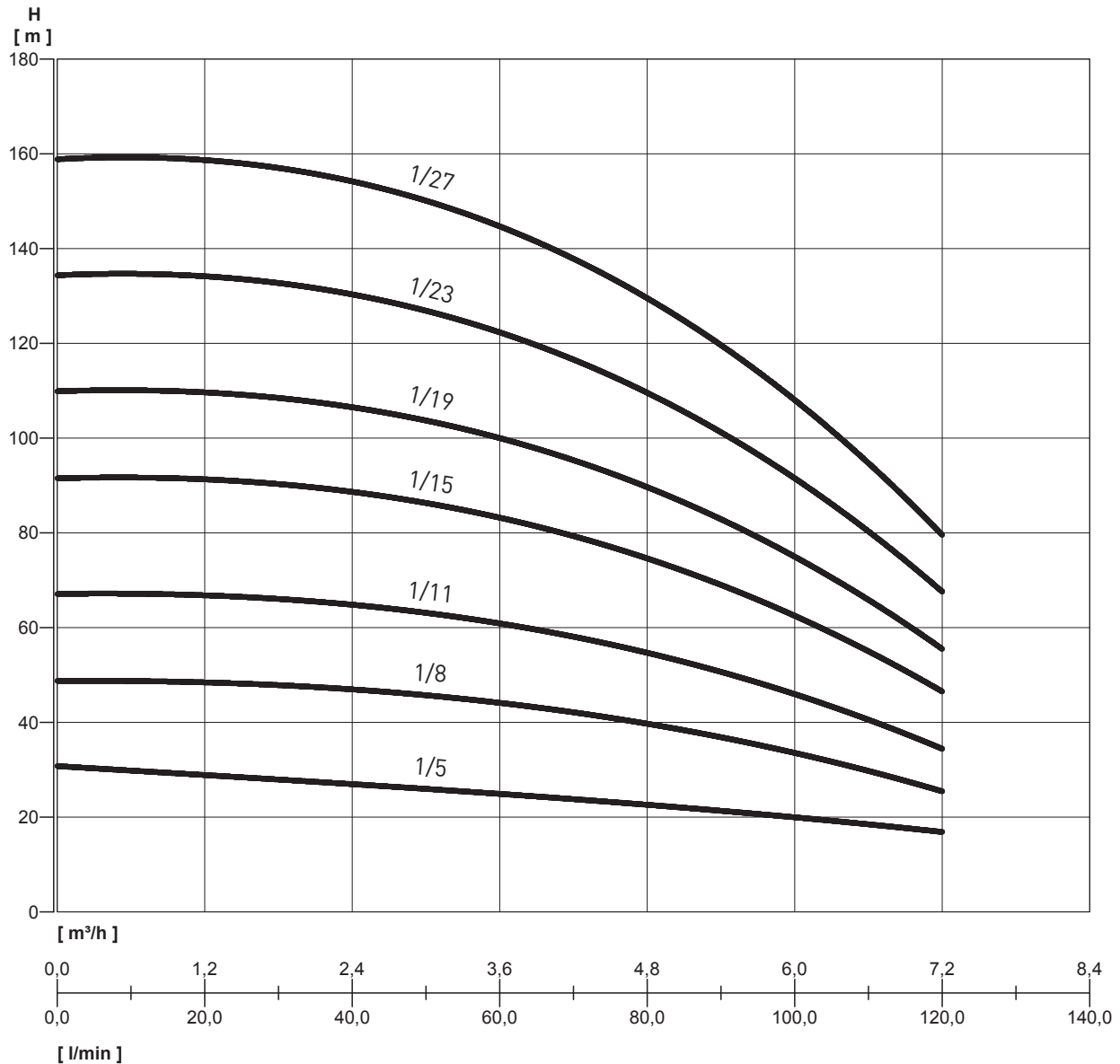
## OVERALL DIMENSIONS AND WEIGHTS

MODEL	Fig.	Dimensions mm.															WEIGHT Kg	
		A	B	C	E	F	H	I	L	M	N	P	Q	R	W	DNA		DNM
VARIO3-30 MULTINOX VE+ 4-30	1	615	68	815	130	96	910	300	449	778,5	145	10,5	290	320	900	2-1/2"	2-1/2"	116
VARIO3-30 MULTINOX VE+ 4-50	1	615	68	815	184	96	910	300	503	778,5	145	10,5	290	320	900	2-1/2"	2-1/2"	129
VARIO3-30 MULTINOX VE+ 4-70	1	615	68	815	238	96	910	300	557	778,5	145	10,5	290	320	900	2-1/2"	2-1/2"	141
VARIO3-30 MULTINOX VE+ 4-90	1	615	68	815	292	96	910	300	611	778,5	145	10,5	290	320	900	2-1/2"	2-1/2"	144
VARIO3-30 MULTINOX VE+ 4-120	1	615	68	815	373	96	910	300	693	778,5	145	10,5	290	320	900	2-1/2"	2-1/2"	150
VARIO3-30 MULTINOX VE+ 6-30	1	615	68	815	130	96	910	300	449	778,5	145	10,5	290	320	900	2-1/2"	2-1/2"	117
VARIO3-30 MULTINOX VE+ 6-50	1	615	68	815	184	96	910	300	503	778,5	145	10,5	290	320	900	2-1/2"	2-1/2"	129
VARIO3-30 MULTINOX VE+ 6-70	1	615	68	815	238	96	910	300	557	778,5	145	10,5	290	320	900	2-1/2"	2-1/2"	141
VARIO3-30 MULTINOX VE+ 6-90	1	615	68	815	292	96	910	300	611	778,5	145	10,5	290	320	900	2-1/2"	2-1/2"	144
VARIO3-30 MULTINOX VE+ 8-30	1	615	68	815	130	96	910	300	449	778,5	145	10,5	290	320	900	2-1/2"	2-1/2"	117
VARIO3-30 MULTINOX VE+ 8-50	1	615	68	815	184	96	910	300	503	778,5	145	10,5	290	320	900	2-1/2"	2-1/2"	129
VARIO3-30 MULTINOX VE+ 8-70	1	615	68	815	238	96	910	300	557	778,5	145	10,5	290	320	900	2-1/2"	2-1/2"	141
VARIO3-30 MULTINOX VE+ 8-90	2	780	68	815	292	96	765	300	765	778,5	145	10,5	290	320	900	2-1/2"	2-1/2"	178
VARIO3-30 MULTINOX VE+ 8-120	2	780	68	815	373	96	890	300	890	778,5	145	10,5	290	320	900	2-1/2"	2-1/2"	185

# VARIO 3-30 PVM

THREE-PHASE PRESSURE BOOSTER SET WITH THREE VARIABLE SPEED PUMPS

## HYDRAULIC PERFORMANCE



## PERFORMANCE TABLE

MODEL	P2	VOLT. (V)	In (A)	Q	l/min	0	30	60	90	120
	kW				m³/h	0	1,8	3,6	5,4	7,2
VARIO3-30 PVM 1-5 F	3x0,37	3 ~ 400	3x1,5	m.c.w.	30,4	29,4	22,7	22,8	16,5	
VARIO3-30 PVM 1-8 F	3x0,55	3 ~ 400	3x2,3		48,8	47,6	44,5	36,6	25,5	
VARIO3-30 PVM 1-11 F	3x0,55	3 ~ 400	3x3,2		67,2	65,7	61,4	50,3	34,5	
VARIO3-30 PVM 1-15 F	3x0,75	3 ~ 400	3x4,4		91,6	89,9	83,8	68,6	46,6	
VARIO3-30 PVM 1-19 F	3x1,1	3 ~ 400	3x5,5		110	108	100,7	82,4	55,6	
VARIO3-30 PVM 1-23 F	3x1,1	3 ~ 400	3x6,7		134,5	132,2	123,1	100,7	67,7	
VARIO3-30 PVM 1-27 F	3x1,5	3 ~ 400	3x7,8		159	156,4	145,6	119	79,7	

# VARIO 3-30 PVM

THREE-PHASE PRESSURE BOOSTER SET WITH THREE VARIABLE SPEED PUMPS

## OVERALL DIMENSIONS AND WEIGHTS

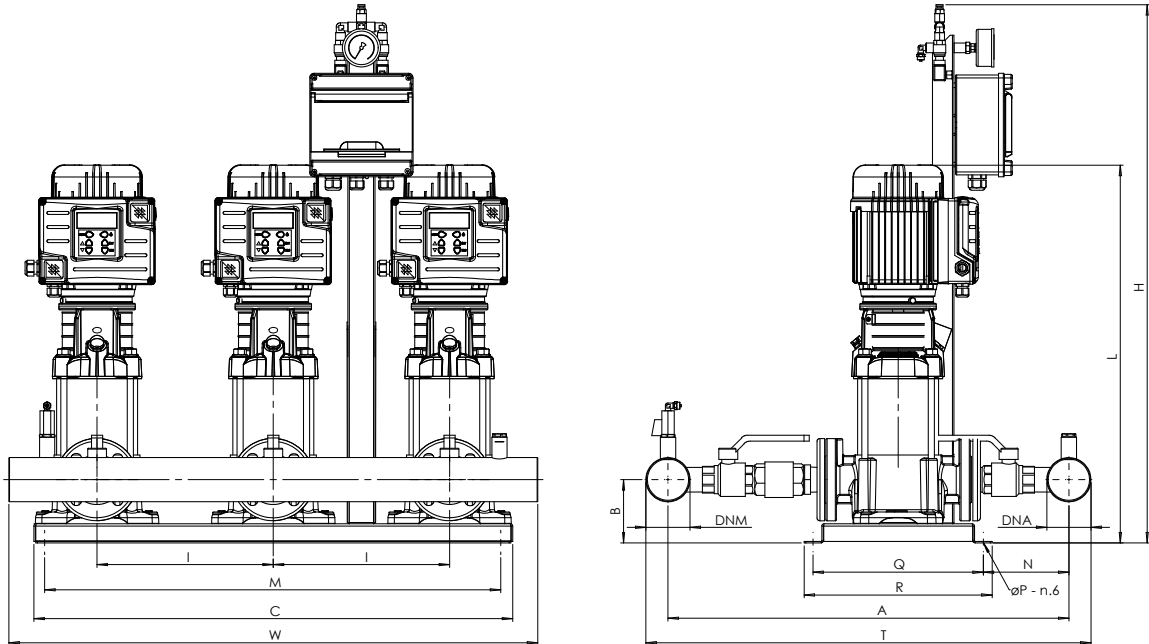


FIG. 1

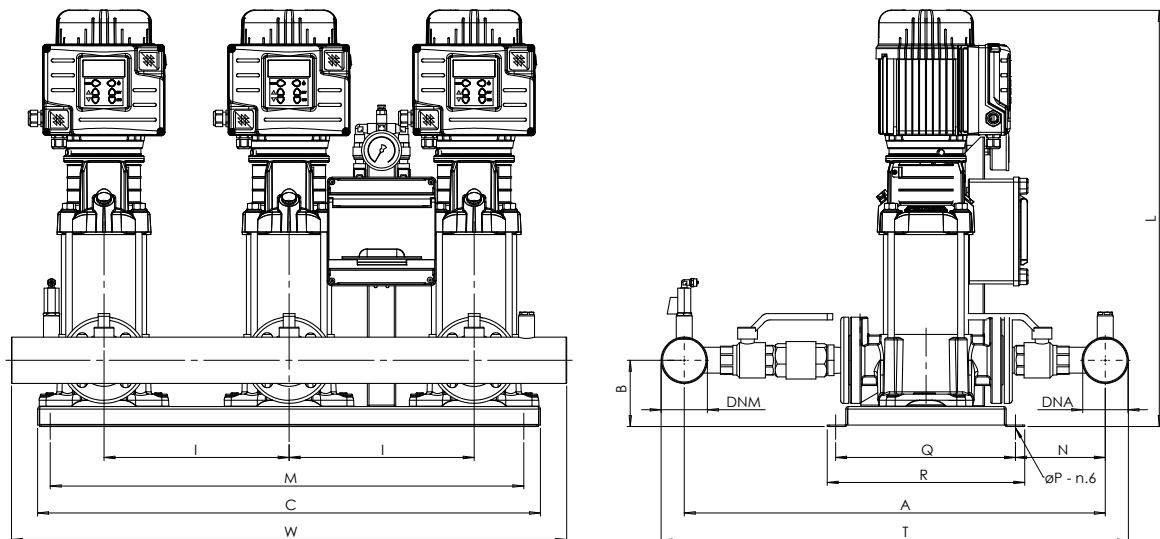


FIG. 2

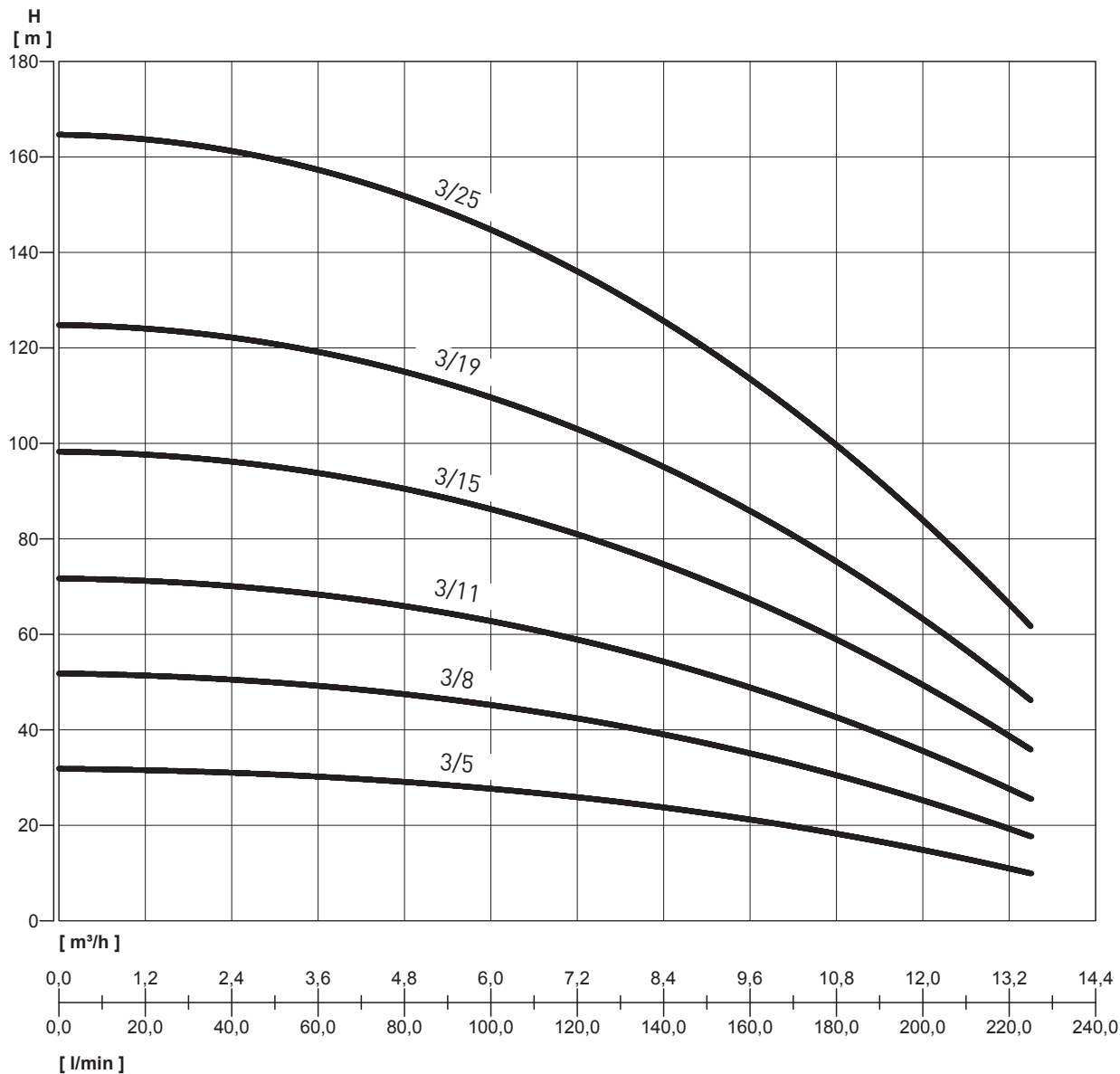
## OVERALL DIMENSIONS AND WEIGHTS

MODEL	Fig.	Dimensions mm.															WEIGHT Kg
		A	B	C	H	I	L	M	N	P	Q	R	T	W	DNA	DNM	
VARIO3-30 PVM 1-5 F	1	690	108	815	910	300	543	778,5	145	10,5	290	320	765	900	2-1/2"	2-1/2"	90
VARIO3-30 PVM 1-8 F	1	690	108	815	910	300	597	778,5	145	10,5	290	320	765	900	2-1/2"	2-1/2"	93
VARIO3-30 PVM 1-11 F	2	690	108	815	651	300	651	778,5	145	10,5	290	320	765	900	2-1/2"	2-1/2"	101
VARIO3-30 PVM 1-15 F	2	690	108	815	769	300	769	778,5	145	10,5	290	320	765	900	2-1/2"	2-1/2"	110
VARIO3-30 PVM 1-19 F	2	690	108	815	841	300	841	778,5	145	10,5	290	320	765	900	2-1/2"	2-1/2"	120
VARIO3-30 PVM 1-23 F	2	690	108	815	913	300	913	778,5	145	10,5	290	320	765	900	2-1/2"	2-1/2"	135
VARIO3-30 PVM 1-27 F	2	690	108	815	1033	300	1033	778,5	145	10,5	290	320	765	900	2-1/2"	2-1/2"	141

# VARIO 3-30 PVM

THREE-PHASE PRESSURE BOOSTER SET WITH THREE VARIABLE SPEED PUMPS

## HYDRAULIC PERFORMANCE



## PERFORMANCE TABLE

MODEL	P2	VOLT. (V)	In (A)	0	l/min	0	60	120	180	225
	kW				m³/h	0	3,6	7,2	10,8	13,5
VARIO3-30 PVM 3-5 F	3x0,37	3 ~ 400	3x0,9	m.c.w.		31,9	30	26,2	18	10
VARIO3-30 PVM 3-8 F	3x0,75	3 ~ 400	3x1,45			51,9	48,9	42,9	30,1	17,8
VARIO3-30 PVM 3-11 F	3x0,75	3 ~ 400	3x2			71,8	67,9	59,6	42,1	25,7
VARIO3-30 PVM 3-15 F	3x1,1	3 ~ 400	3x2,7			98,4	93,2	81,9	58,2	36,1
VARIO3-30 PVM 3-19 F	3x1,5	3 ~ 400	3x3,4			125	118,4	104,2	74,3	46,5
VARIO3-30 PVM 3-25 F	3x2,2	3 ~ 400	3x4,5			164,9	156,3	137,6	98,4	62,1

# VARIO 3-30 PVM

THREE-PHASE PRESSURE BOOSTER SET WITH THREE VARIABLE SPEED PUMPS

## OVERALL DIMENSIONS AND WEIGHTS

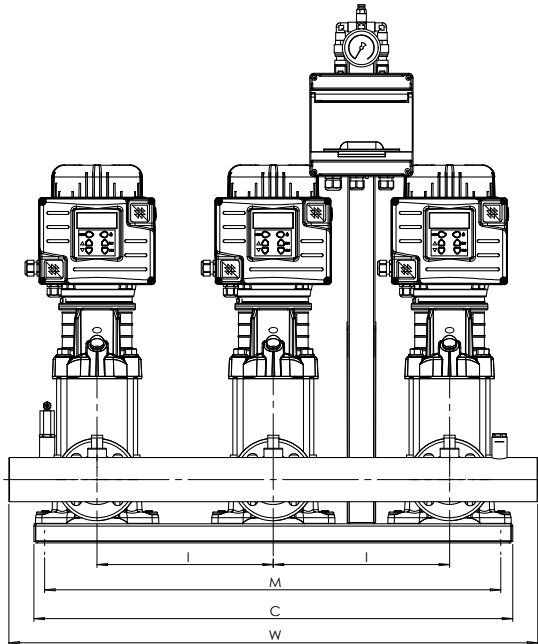


FIG. 1

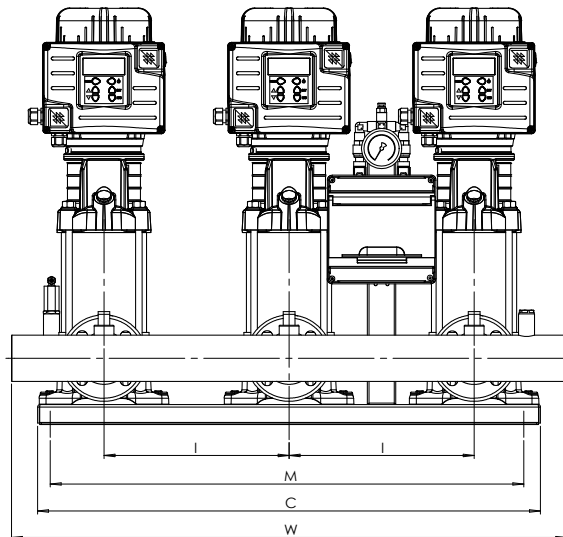
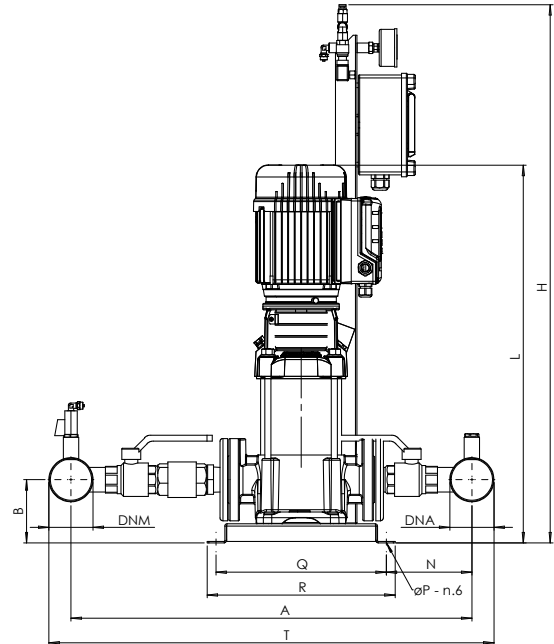
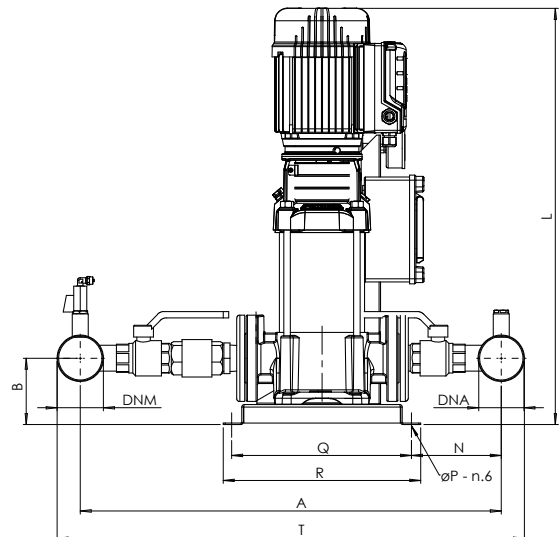


FIG. 2



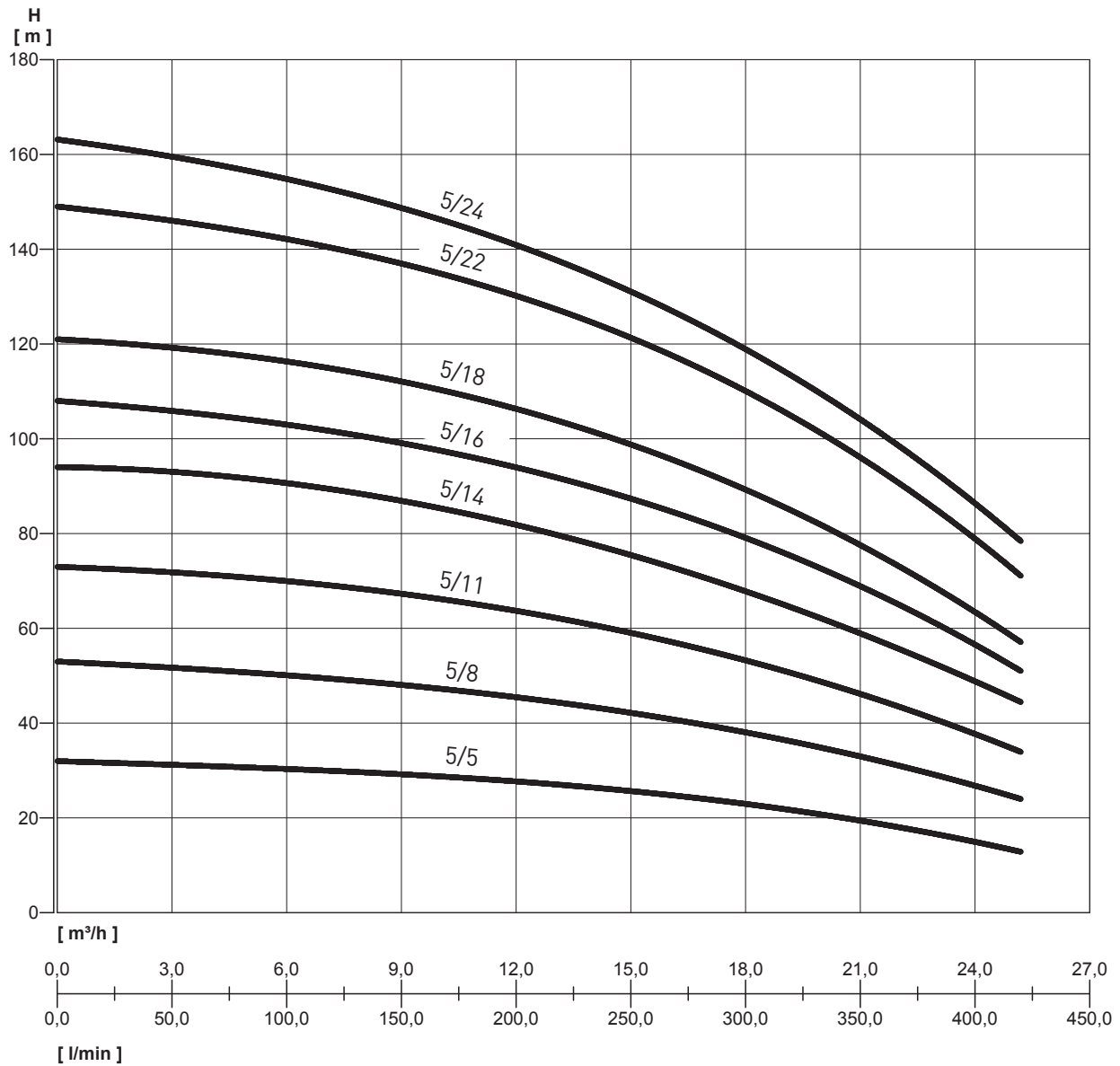
## OVERALL DIMENSIONS AND WEIGHTS

MODEL	Fig.	Dimensions mm.															WEIGHT Kg
		A	B	C	H	I	L	M	N	P	Q	R	T	W	DNA	DNM	
VARIO3-30 PVM 3-5 F	1	690	108	815	910	300	543	778,5	145	10,5	290	320	765	900	2-1/2"	2-1/2"	93
VARIO3-30 PVM 3-8 F	1	690	108	815	910	300	643	778,5	145	10,5	290	320	765	900	2-1/2"	2-1/2"	98
VARIO3-30 PVM 3-11 F	2	690	108	815	697	300	697	778,5	145	10,5	290	320	765	900	2-1/2"	2-1/2"	110
VARIO3-30 PVM 3-15 F	2	690	108	815	769	300	769	778,5	145	10,5	290	320	765	900	2-1/2"	2-1/2"	113
VARIO3-30 PVM 3-19 F	2	690	108	815	889	300	889	778,5	145	10,5	290	320	765	900	2-1/2"	2-1/2"	120
VARIO3-30 PVM 3-25 F	2	690	108	815	997	300	997	778,5	145	10,5	290	320	765	900	2-1/2"	2-1/2"	135

# VARIO 3-30 PVM

THREE-PHASE PRESSURE BOOSTER SET WITH THREE VARIABLE SPEED PUMPS

## HYDRAULIC PERFORMANCE



## PERFORMANCE TABLE

MODEL	P2	VOLT. (V)	In (A)	Q	l/min	0	120	180	240	300	360	420
	kW					0	7,2	10,8	14,4	18	21,6	25,2
VARIO3-30 PVM 5-5 F	3x0,75	3 ~ 400	3x1,7	m.c.w.	32	31	30	30	29	28	13,5	
VARIO3-30 PVM 5-8 F	3x1,1	3 ~ 400	3x2,7		52	51	50	48	47	45	23,6	
VARIO3-30 PVM 5-11 F	3x2,2	3 ~ 400	3x3,7		74	72	70	69	68	65	33,8	
VARIO3-30 PVM 5-14 F	3x2,2	3 ~ 400	3x4,8		93	91	90	89	87	84	43,9	
VARIO3-30 PVM 5-16 F	3x2,2	3 ~ 400	3x5,4		107	105	101	102	98	95	50,7	
VARIO3-30 PVM 5-18 F	3x3	3 ~ 400	3x6,1		122	117,8	112	102,7	89,3	71,1	57,4	
VARIO3-30 PVM 5-22 F	3x4	3 ~ 400	3x7,5		149	144,5	137,4	126,1	110	87,6	70,9	
VARIO3-30 PVM 5-24 F	3x4	3 ~ 400	3x8,2		163	157,8	150,1	137,8	120	95,9	77,7	



# VARIO 3-30 PVM

THREE-PHASE PRESSURE BOOSTER SET WITH THREE VARIABLE SPEED PUMPS

## OVERALL DIMENSIONS AND WEIGHTS

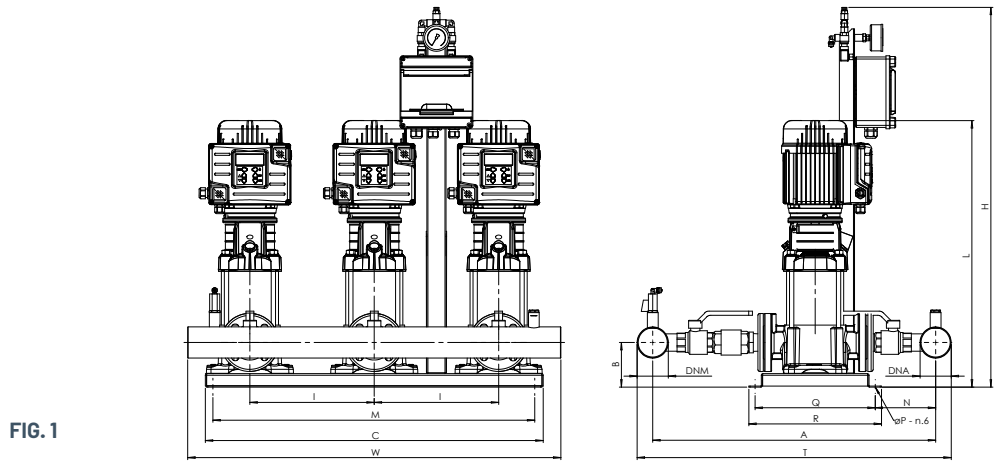


FIG. 1

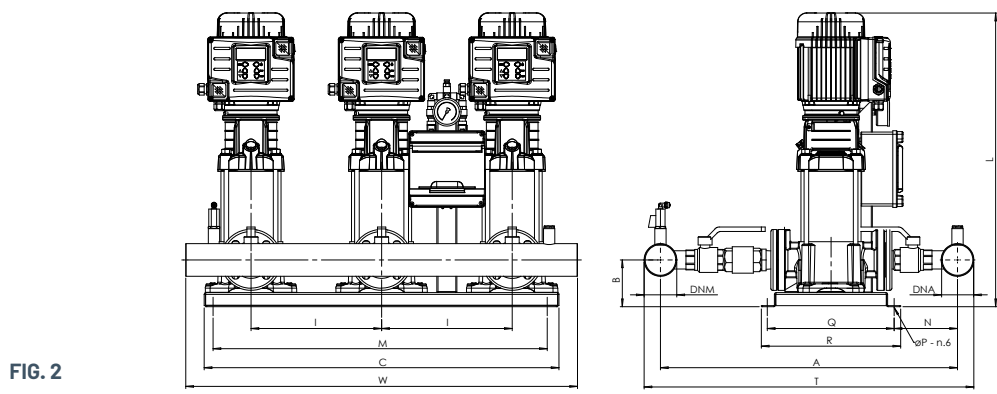


FIG. 2

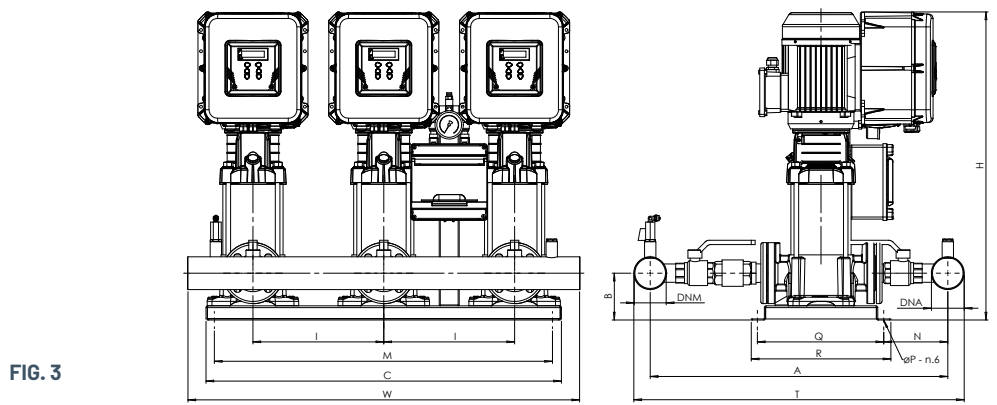


FIG. 3

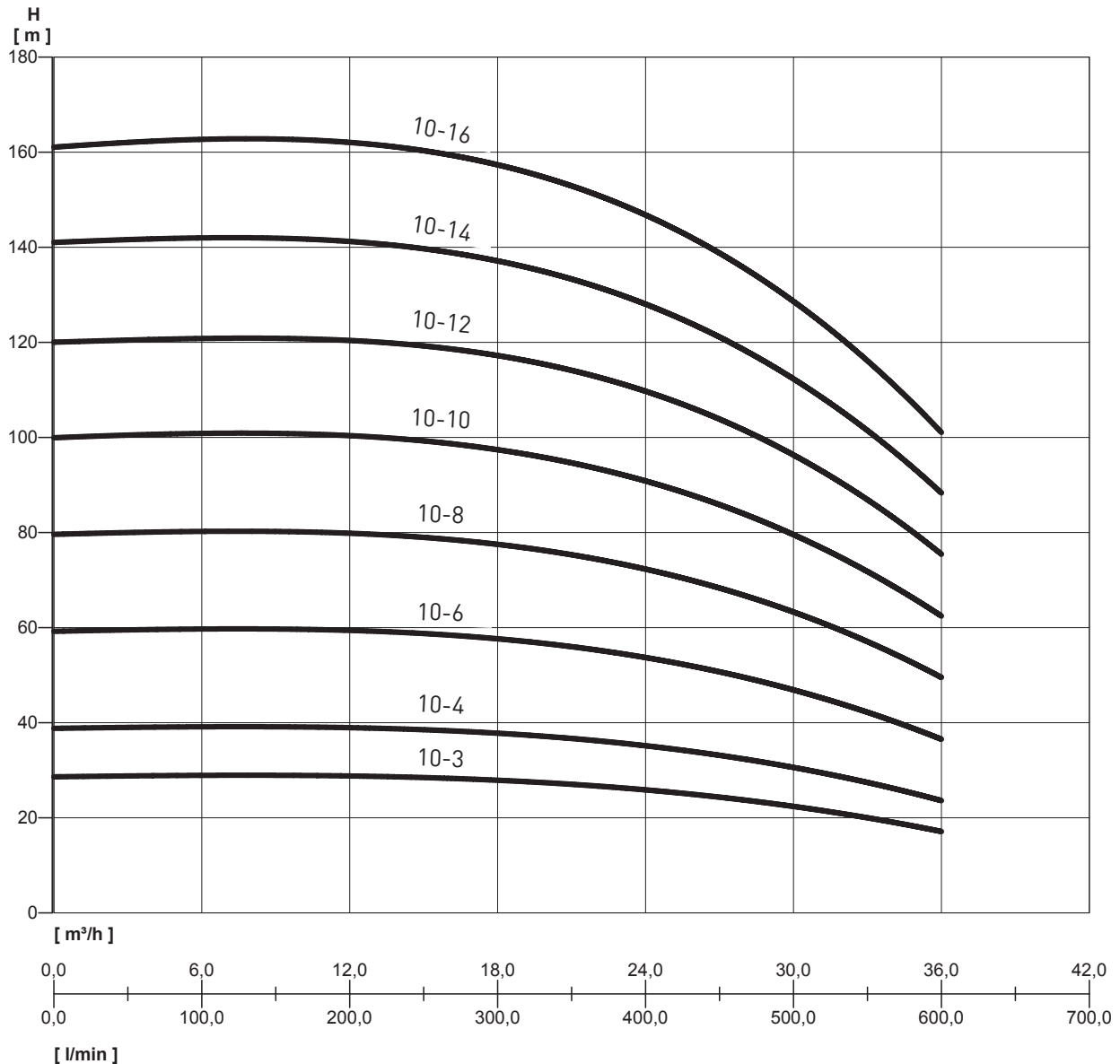
## OVERALL DIMENSIONS AND WEIGHTS

MODEL	Fig.	Dimensions mm.															WEIGHT Kg
		A	B	C	H	I	L	M	N	P	Q	R	T	W	DNA	DNM	
VARIO3-30 PVM 5-5 F	1	690	108	815	910	300	634	778,5	145	10,5	290	320	765	900	2-1/2"	2-1/2"	114
VARIO3-30 PVM 5-8 F	2	690	108	815	715	300	715	778,5	145	10,5	290	320	765	900	2-1/2"	2-1/2"	120
VARIO3-30 PVM 5-11 F	2	690	108	815	844	300	844	778,5	145	10,5	290	320	765	900	2-1/2"	2-1/2"	138
VARIO3-30 PVM 5-14 F	2	690	108	815	925	300	925	778,5	145	10,5	290	320	765	900	2-1/2"	2-1/2"	147
VARIO3-30 PVM 5-16 F	2	690	108	815	979	300	979	778,5	145	10,5	290	320	765	900	2-1/2"	2-1/2"	150
VARIO3-30 PVM 5-18 F	3	690	108	815	1091	300	-	778,5	145	10,5	290	320	765	900	2-1/2"	2-1/2"	224
VARIO3-30 PVM 5-22 F	3	690	108	815	1206	300	-	778,5	145	10,5	290	320	765	900	2-1/2"	2-1/2"	229
VARIO3-30 PVM 5-24 F	3	690	108	815	1260	300	-	778,5	145	10,5	290	320	765	900	2-1/2"	2-1/2"	248

# VARIO 3-30 PVM

THREE-PHASE PRESSURE BOOSTER SET WITH THREE VARIABLE SPEED PUMPS

## HYDRAULIC PERFORMANCE



## PERFORMANCE TABLE

MODEL	P2	VOLT. (V)	In (A)	0	l/min	0	150	300	450	600
	kW				m³/h	0	9	18	27	36
VARIO3-30 PVM 10-3 F	3x1,5	3 ~ 400	3x2,4	m.c.w.	28,6	29	27,8	24,4	17,1	
VARIO3-30 PVM 10-4 F	3x2	3 ~ 400	3x3,2		38,8	39,2	37,7	33,2	23,6	
VARIO3-30 PVM 10-6 F	2x2,2	3 ~ 400	3x4,8		59,2	59,8	57,5	50,8	36,5	
VARIO3-30 PVM 10-8 F	3x3	3 ~ 400	3x6,4		79,6	80,3	77,4	68,4	49,5	
VARIO3-30 PVM 10-10 F	3x4	3 ~ 400	3x8		99,9	101	97,2	86	62,4	
VARIO3-30 PVM 10-12 F	3x4	3 ~ 400	3x9,6		120	121	117	104	75,4	
VARIO3-30 PVM 10-14 F	3x5,5	3 ~ 400	3x11,2		141	142	137	121,2	88,3	
VARIO3-30 PVM 10-16 F	3x5,5	3 ~ 400	3x12,8		161	163	157	139	101	

# VARIO 3-30 PVM

## THREE-PHASE PRESSURE BOOSTER SET WITH THREE VARIABLE SPEED PUMPS

### OVERALL DIMENSIONS AND WEIGHTS

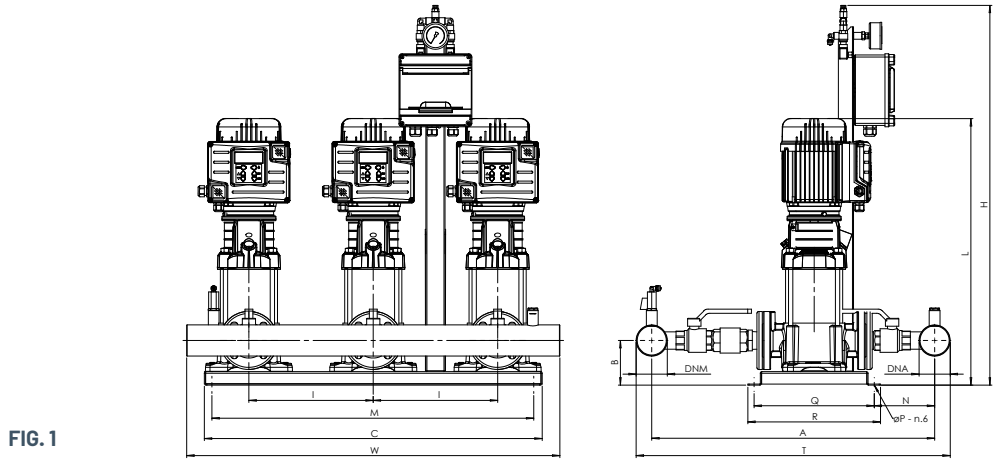


FIG. 1

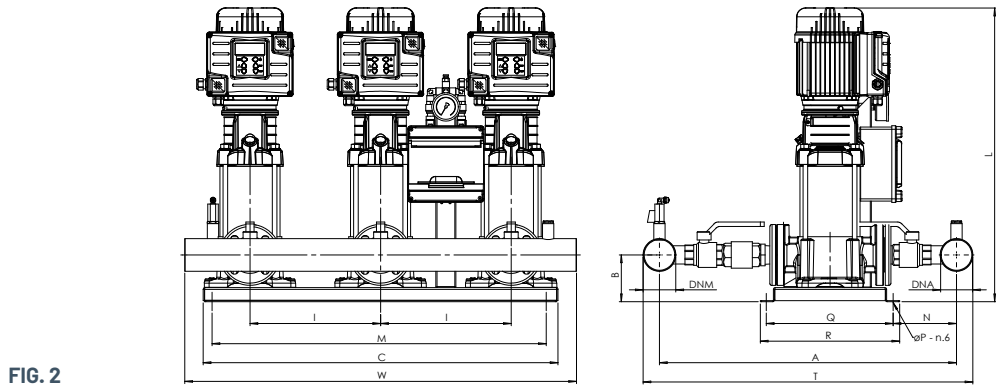


FIG. 2

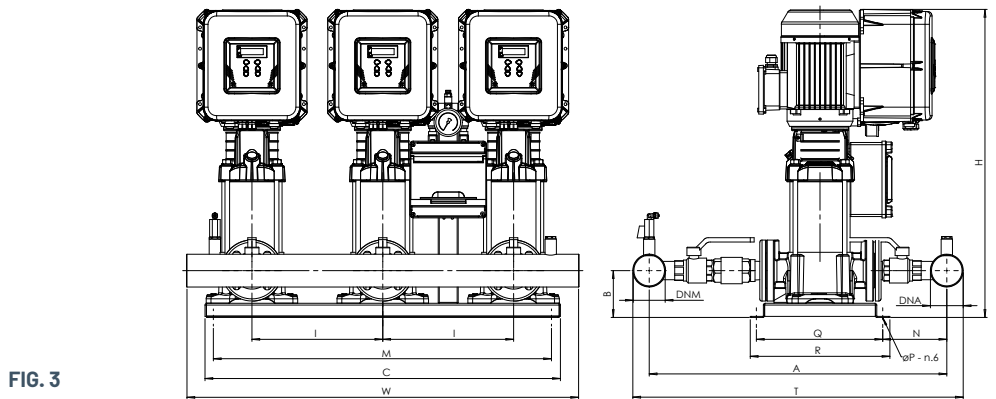


FIG. 3

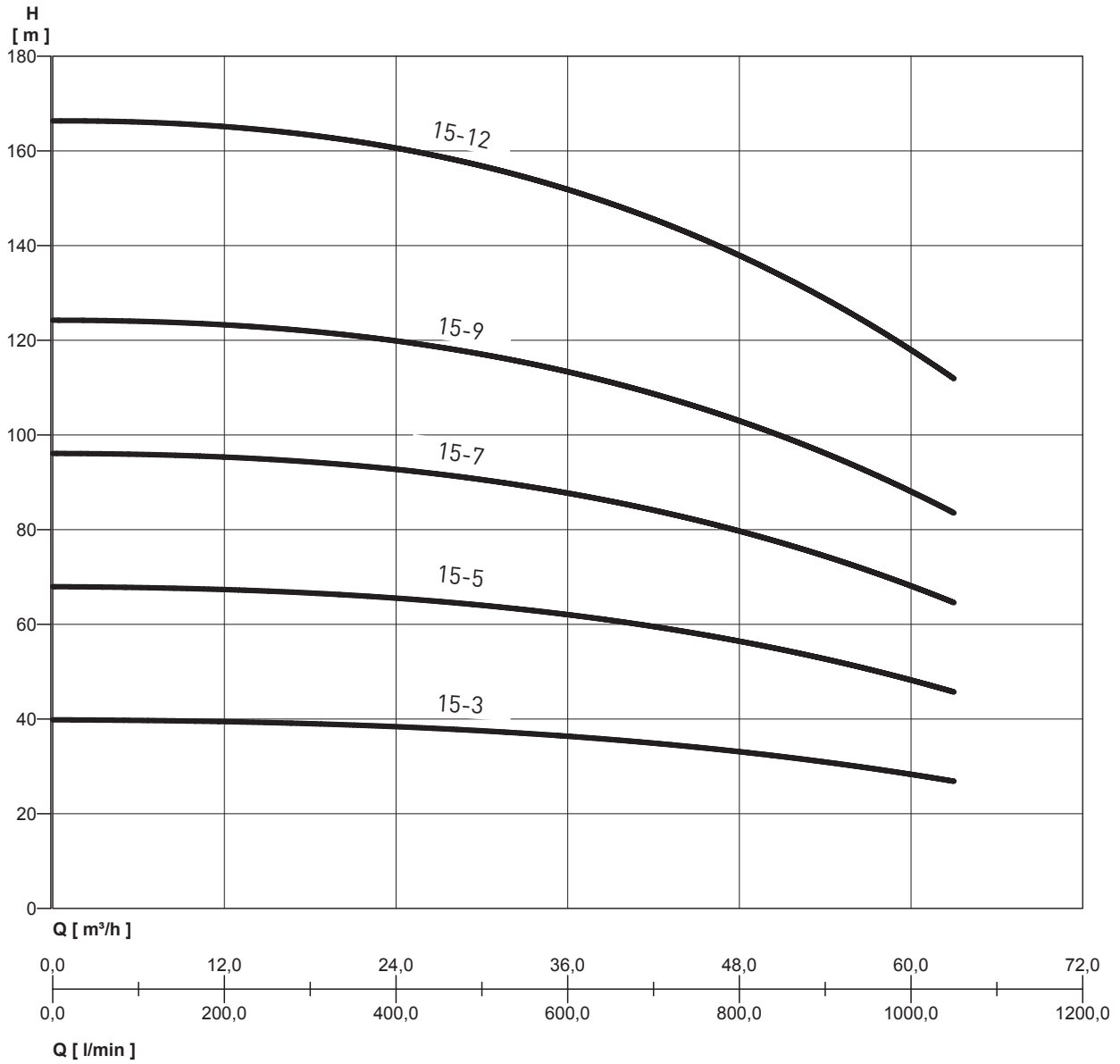
### OVERALL DIMENSIONS AND WEIGHTS

MODEL	Fig.	Dimensions mm.													WEIGHT Kg	
		A	B	C	H	I	L	M	N	P	Q	R	T	W		DNA
VARIO3-30 PVM 10-3 F	1	720	113	1000	910	370	645	963,5	158	10,5	290	320	795	1040	2-1/2"2-1/2"	128
VARIO3-30 PVM 10-4 F	2	720	113	1000	723	370	723	963,5	158	10,5	290	320	795	1040	2-1/2"2-1/2"	158
VARIO3-30 PVM 10-6 F	2	720	113	1000	783	370	783	963,5	158	10,5	290	320	795	1040	2-1/2"2-1/2"	173
VARIO3-30 PVM 10-8 F	3	720	113	1000	902	370	-	963,5	158	10,5	290	320	795	1040	2-1/2"2-1/2"	147
VARIO3-30 PVM 10-10 F	3	720	113	1000	969	370	-	963,5	158	10,5	290	320	795	1040	2-1/2"2-1/2"	150
VARIO3-30 PVM 10-12 F	3	720	113	1000	1029	370	-	963,5	158	10,5	290	320	795	1040	2-1/2"2-1/2"	224
VARIO3-30 PVM 10-14 F	3	720	113	1000	1158	370	-	963,5	158	10,5	290	320	795	1040	2-1/2"2-1/2"	229
VARIO3-30 PVM 10-16 F	3	720	113	1000	1218	370	-	963,5	158	10,5	290	320	795	1040	2-1/2"2-1/2"	248

# VARIO 3-30 PVM

THREE-PHASE PRESSURE BOOSTER SET WITH THREE VARIABLE SPEED PUMPS

## HYDRAULIC PERFORMANCE

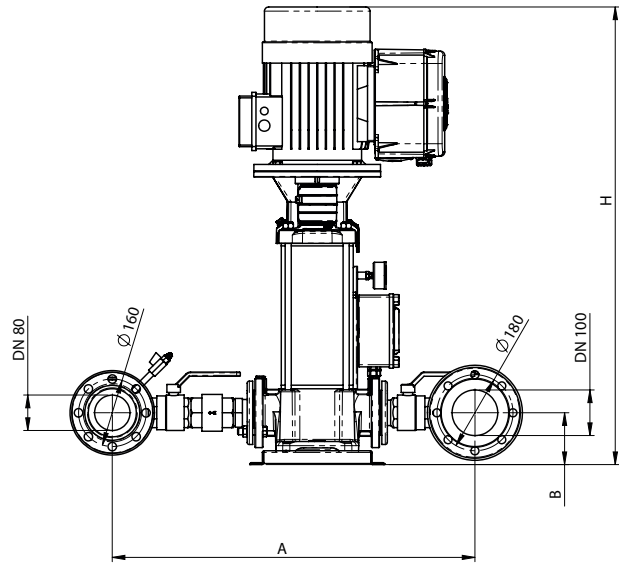
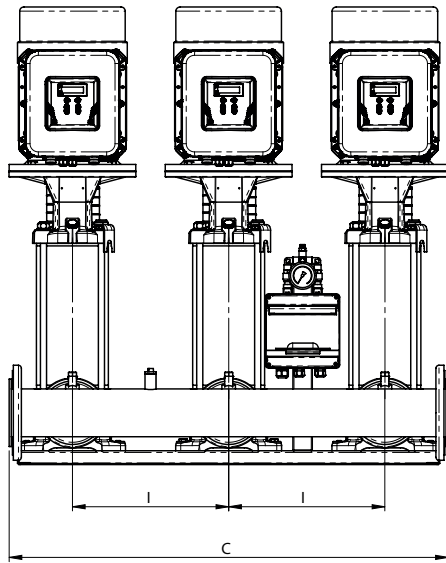


# VARIO 3-30 PVM

THREE-PHASE PRESSURE BOOSTER SET WITH THREE VARIABLE SPEED PUMPS

## PERFORMANCE TABLE

MODEL	P2	VOLT. (V)	In (A)	0	m.c.w.								
	kW				l/min	0	150	300	450	600	750	900	1050
					0	0	9	18	27	36	45	54	63
VARIO3-30 PVM 15-3 F	3x3	3 ~ 400	3x5,1		39,8	39,6	39,2	37,8	36,3	34,1	31	26,8	
VARIO3-30 PVM 15-5 F	3x4	3 ~ 400	3x8,5		68	67,4	66,9	64,7	62	58,1	52,7	45,7	
VARIO3-30 PVM 15-7 F	3x5,5	3 ~ 400	3x11,9		96,2	95,3	94,7	91,6	87,7	82	74,4	64,6	
VARIO3-30 PVM 15-9 F	3x7,5	3 ~ 400	3x15,3		124,4	123,2	122,4	118,4	113,4	106	96	83,6	
VARIO3-30 PVM 15-12 F	3x11	3 ~ 400	3x20,4		166,6	165	163,9	158,8	151,9	141,9	128,6	112	



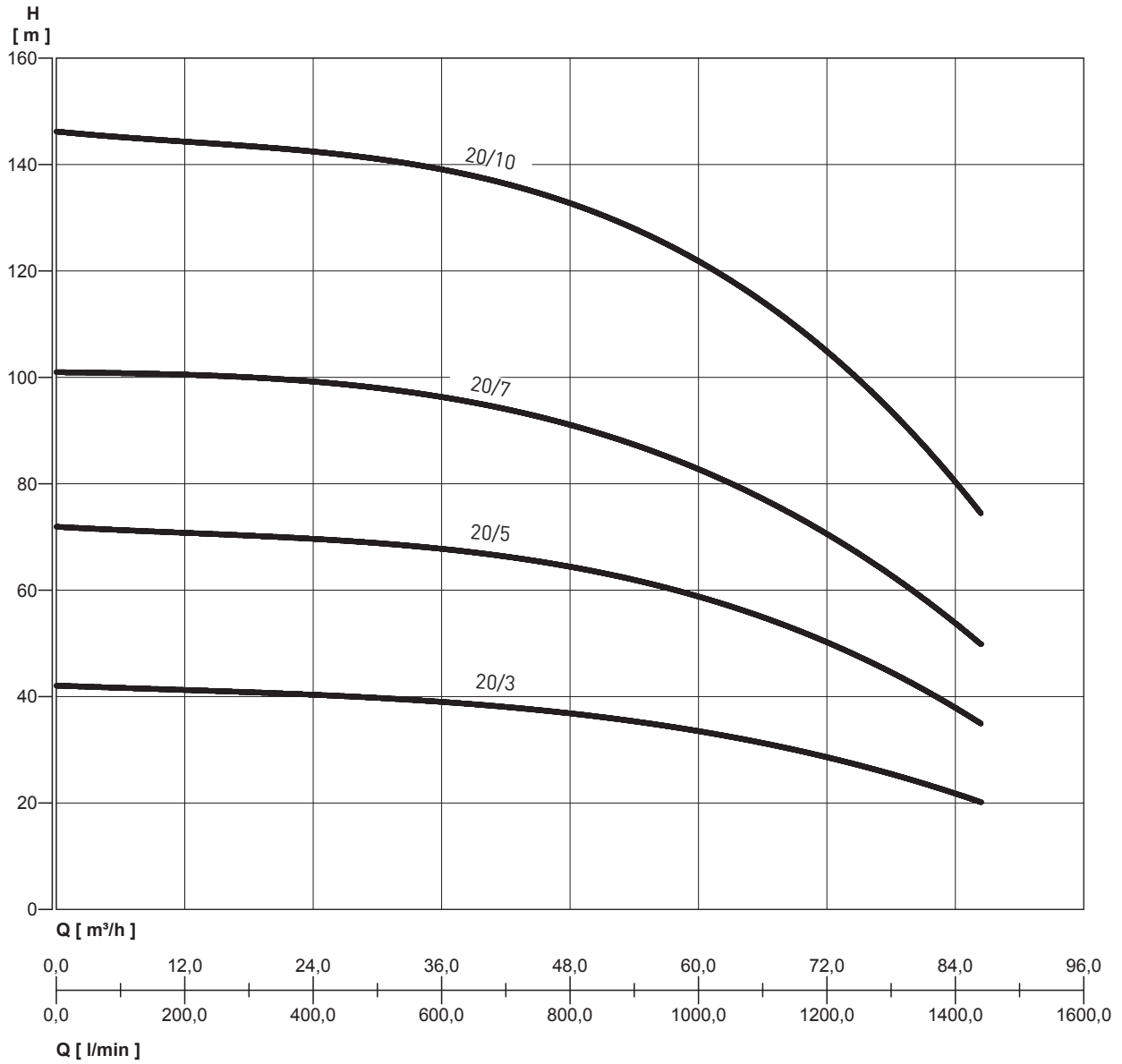
## OVERALL DIMENSIONS AND WEIGHTS

MODEL	Dimensions mm.							WEIGHT Kg
	A	B	C	H	I	DNA	DNM	
VARIO3-30 PVM 15-3 F	860	125	1040	786	370	3"	3"	207
VARIO3-30 PVM 15-5 F	860	125	1040	883	370	3"	3"	252
VARIO3-30 PVM 15-7 F	860	125	1040	1042	370	3"	3"	354
VARIO3-30 PVM 15-9 F	860	125	1040	1152	370	3"	3"	381
VARIO3-30 PVM 15-12 F	860	125	1040	1417	370	3"	3"	500

# VARIO 3-30 PVM

THREE-PHASE PRESSURE BOOSTER SET WITH THREE VARIABLE SPEED PUMPS

## HYDRAULIC PERFORMANCE

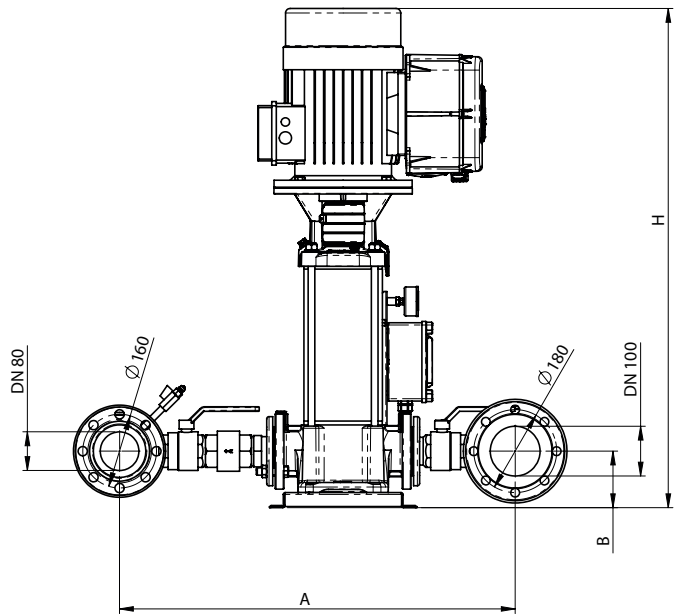
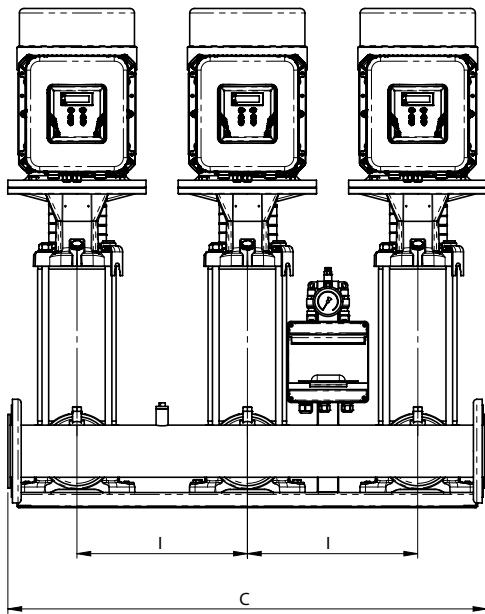


# VARIO 3-30 PVM

THREE-PHASE PRESSURE BOOSTER SET WITH THREE VARIABLE SPEED PUMPS

## PERFORMANCE TABLE

MODEL	P2	VOLT. (V)	In (A)	Q	I/min	0	300	600	900	1200	1440
	kW				m <sup>3</sup> /h	0	18	36	54	72	86,4
VARIO3-30 PVM 20-3 F	3x4	3 ~ 400	3x8,5	m.c.w.	42	41	39	35	29	20	
VARIO3-30 PVM 20-5 F	3x5,5	3 ~ 400	3x11,9		72	70	68	62	50	35	
VARIO3-30 PVM 20-7 F	3x7,5	3 ~ 400	3x15,3		101	100	96	88	70	50	
VARIO3-30 PVM 20-10 F	3x11	3 ~ 400	3x20,4		146	144	139	127	106	74	



## OVERALL DIMENSIONS AND WEIGHTS

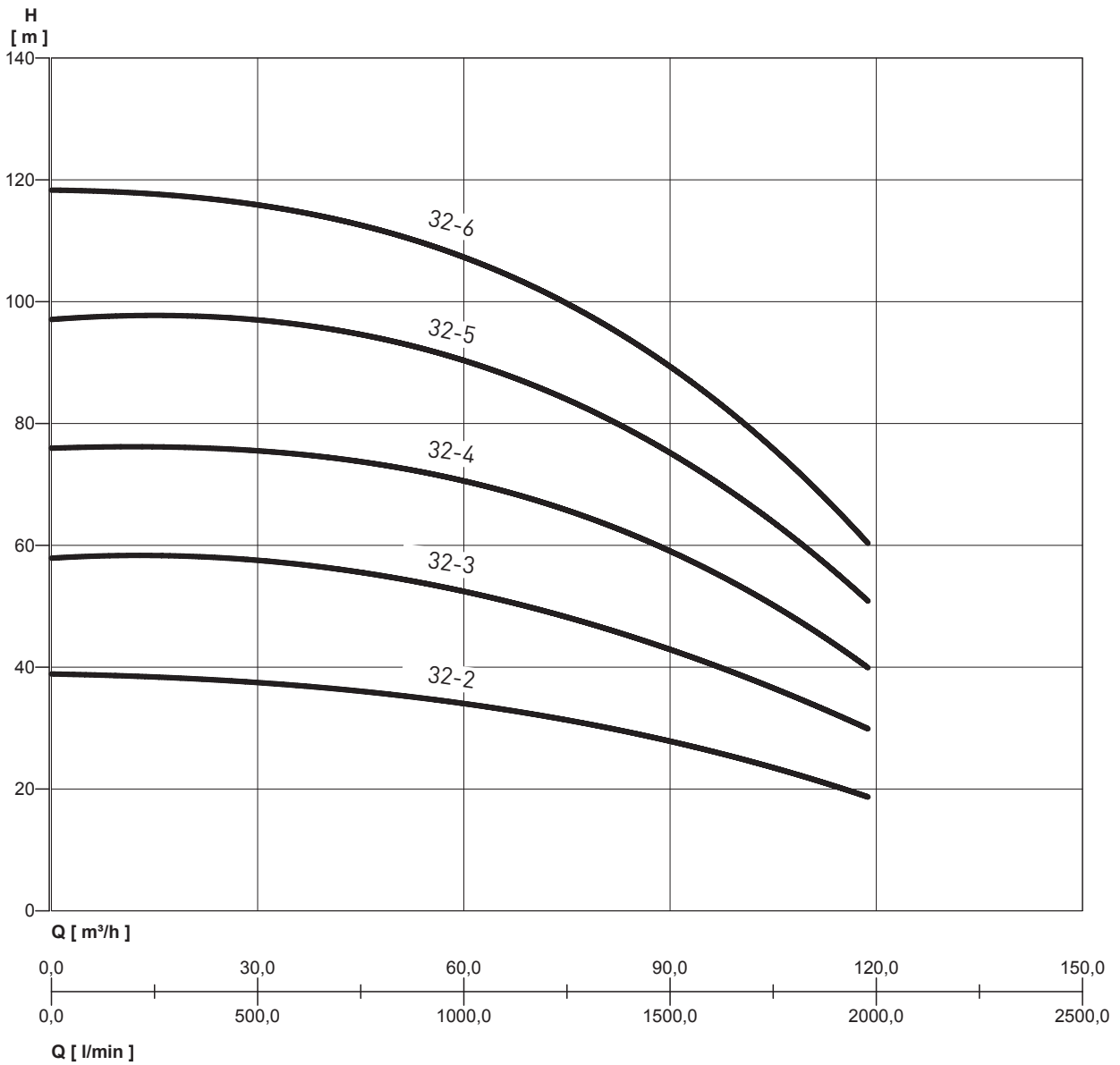
MODEL	Dimensions mm.							WEIGHT Kg
	A	B	C	H	I	DNA	DNM	
VARIO3-30 PVM 20-3 F	860	125	1040	793	370	3"	3"	243
VARIO3-30 PVM 20-5 F	860	125	1040	952	370	3"	3"	345
VARIO3-30 PVM 20-7 F	860	125	1040	1062	370	3"	3"	372
VARIO3-30 PVM 20-10 F	860	125	1040	1387	370	3"	3"	492

# VARIO 3-30 PVM

THREE-PHASE PRESSURE BOOSTER SET WITH THREE VARIABLE SPEED PUMPS

## HYDRAULIC PERFORMANCE

---



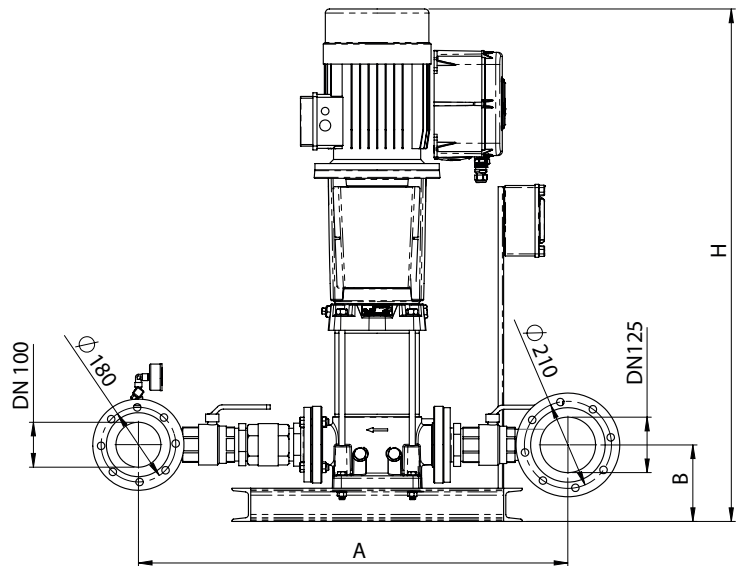
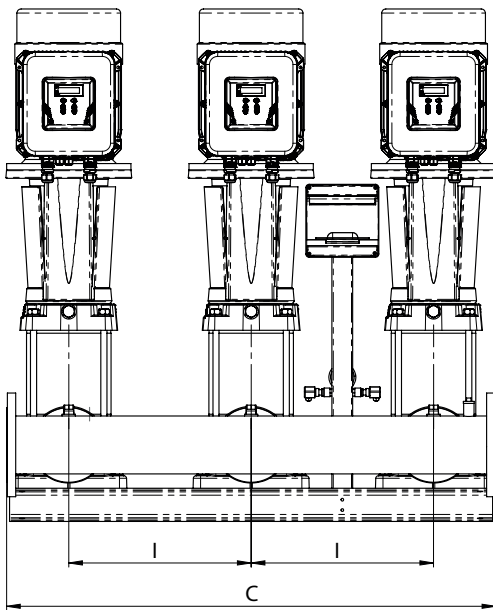


# VARIO 3-30 PVM

THREE-PHASE PRESSURE BOOSTER SET WITH THREE VARIABLE SPEED PUMPS

## PERFORMANCE TABLE

MODEL	P2	VOLT. (V)	In (A)	Q	m.c.w.								
	kW				l/min	0	300	600	900	1200	1500	1800	1980
					m <sup>3</sup> /h	0	18	36	54	72	90	108	118,8
VARI03-30 PVM 32-2 F	3x4	3 ~ 400	3x7,1			39	38	37	35	32	28	22	19
VARI03-30 PVM 32-3 F	3x5,5	3 ~ 400	3x10,7			58	58	57	54	49	43	35	30
VARI03-30 PVM 32-4 F	3x7,5	3 ~ 400	3x14,3			76	76	75	72	67	59	48	40
VARI03-30 PVM 32-5 F	3x11	3 ~ 400	3x17,8			97	98	96	92	86	75	61	51
VARI03-30 PVM 32-6 F	3x11	3 ~ 400	3x21,4			118	118	115	109	101	90	73	60



## OVERALL DIMENSIONS AND WEIGHTS

MODEL	Dimensions mm.							WEIGHT Kg
	A	B	C	H	I	DNA	DNM	
VARI03-30 PVM 32-2 F	1040	185	1180	982	440	4"	3"	418
VARI03-30 PVM 32-3 F	1040	185	1180	1089	440	4"	3"	485
VARI03-30 PVM 32-4 F	1040	185	1180	1179	440	4"	3"	515
VARI03-30 PVM 32-5 F	1040	185	1180	1472	440	4"	3"	644
VARI03-30 PVM 32-6 F	1040	185	1180	1542	440	4"	3"	656